

ENCOMPASS™
HIP STEM PLASMA SPRAY



INTRODUCTION TO ENCOMPASS™ HIP STEM PLASMA SPRAY

As companies continue to improve their products, today's orthopedic implants offer surgeons many options with varying philosophies for total hip replacement (THR). The Encompass™ Hip Stem Plasma Spray is a unitized stem which offers precise distal fit as well as maximum proximal fill. With its optimized neck design the stem is available in standard and extended offset options.



FIT AND FILL HISTORY

In the 1970s, Sir John Charnley introduced cemented total hip replacement, which at the time was considered the gold standard for THA. Since the introduction of the cemented total stem, the way has been opened for continuous improvement in both concept and technology. While initial fixation and improving long-term results were an early concern, in the mid 1980s the concept of good initial fixation with better long-term results was introduced as what we know today as the fit and fill philosophy. This concept introduced the straight stem design that when implanted fits rigidly into the distal canal and optimized proximal fill and fixation. With over 20 years of continuing positive outcomes, the cementless fit and fill stem is another gold standard.

1990s



In the early 1990s the Venus Stem received FDA approval and was released to market in the U.S. In 1996 the Venus Stem was changed to the Revolution Stem and was implanted in approximately 400 patients.

1995



As more patients received THR it became necessary to accommodate varying bone anatomy types. With a few modifications to the Revolution, Ortho Development introduced the Primaloc™ Hip System. While continuing in the fit and fill philosophy, this was a unitized stem that offered the size range of a modular system with the benefits of a one-piece stem. The Primaloc now has a history of over 15,000 stems implanted worldwide.

2005

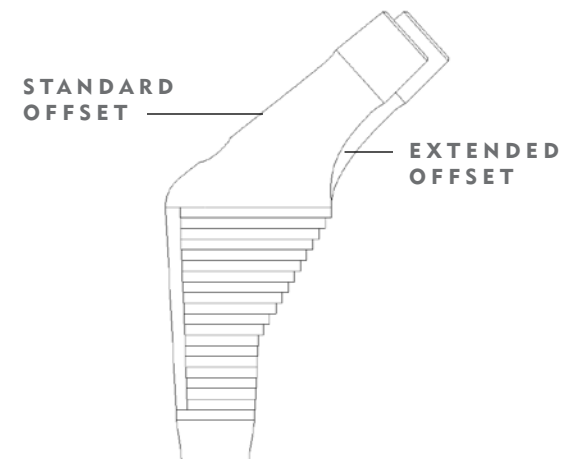


This stem offers a precise distal fit with rigid distal fixation, proximal plasma spray coating for maximum proximal fill, and an optimized neck geometry. The fit and fill philosophy has a 20-year track record of positive outcomes. Ortho Development continues this philosophy with the Encompass Hip Stem.

OFFSETS

There are two offset options available for the stem. Both standard and extended neck offsets have the same neck angle of 132° to help reduce the occurrence of leg length discrepancy.

PROXIMAL DIAMETER	STANDARD VS. EXTENDED OFFSET
17mm	4mm
19mm	4mm
21mm	6mm
23mm	6mm
25mm	8mm
27mm	8mm



NECK ANGLE AND RANGE OF MOTION

The Encompass System features optimized neck geometry for increased range of motion and polished finish to help decrease wear debris potential.



PLASMA SPRAY COATING

The plasma spray made from titanium alloy is designed to provide initial and long-term fixation and anti-rotational stability.



INSTRUMENTS

Box Osteotome

Used to prepare piriforma fossa, this instrument removes sufficient bone laterally to avoid varus alignment of the femoral components.



Greater Trochanter Reamer

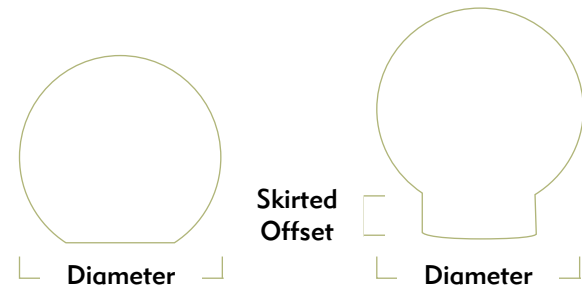
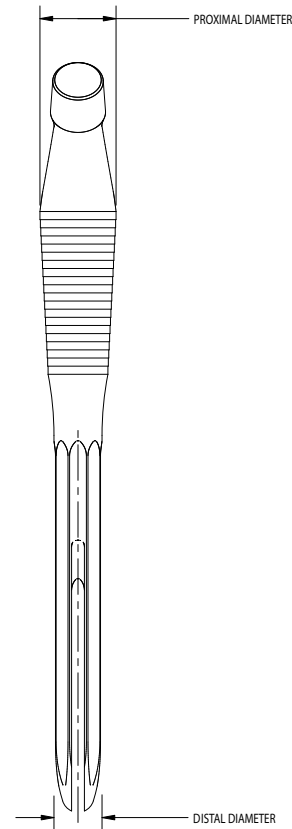
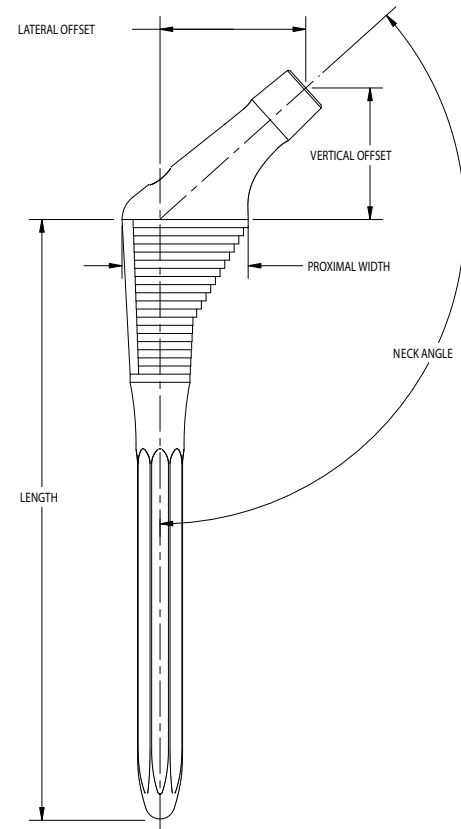
The Greater Trochanter Reamer has a tapered distal pilot with a cutting cone design and is lateralized to prevent varus positioning. The reamer is available in 9mm-13mm sizes.

Broach Handle

The Broach Handle is designed with an ergonomic grip that allows for better visualization with a greater trochanter clearance. The handle features a firm locking mechanism and utilizes a dual impact surface to aid in using the “cut and clear” method.



PRODUCT SPECIFICATIONS



HEAD OD	OFFSET
22mm	-3mm
22mm	+0mm
22mm	+3mm*
22mm	+6mm*
28mm	-3mm
28mm	+0mm
28mm	+3mm
28mm	+6mm*
28mm	+9mm*
32mm	-3mm
32mm	+0mm
32mm	+3mm
32mm	+6mm
32mm	+9mm*

*Skirted Offset

STANDARD OFFSETS

CATALOG NUMBER	SIZE	LENGTH	DISTAL DIAMETER	PROXIMAL DIAMETER	LATERAL OFFSET	VERTICAL OFFSET	PROXIMAL WIDTH
108-1017	10x17	140	10	17	32	28.9	28.5
108-1019	10x19	140	10	19	34	30.7	28.5
108-1217	12x17	150	12	17	32	28.9	31.5
108-1219	12x19	150	12	19	34	30.7	28.5
108-1221	12x21	150	12	21	36	32.5	34.5
108-1223	12x23	150	12	23	38	34.3	37.5
108-1419	14x19	155	14	19	34	30.7	31.5
108-1421	14x21	155	14	21	36	32.5	34.5
108-1423	14x23	155	14	23	38	34.3	37.5
108-1425	14x25	155	14	25	40	36.1	40.5
108-1623	16x23	160	16	23	38	34.3	37.5
108-1625	16x25	160	16	25	40	36.1	40.5
108-1627	16x27	160	16	27	42	37.9	43.5
108-1825	18x25	165	18	25	40	36.1	40.5
108-1827	18x27	165	18	27	42	37.9	43.5

EXTENDED OFFSETS

CATALOG NUMBER	SIZE	LENGTH	DISTAL DIAMETER	PROXIMAL DIAMETER	LATERAL OFFSET	VERTICAL OFFSET	PROXIMAL WIDTH
109-1017	10x17	140	10	17	36	28.9	28.5
109-1019	10x19	140	10	19	38	30.7	28.5
109-1217	12x17	150	12	17	36	28.9	31.5
109-1219	12x19	150	12	19	38	30.7	28.5
109-1221	12x21	150	12	21	42	32.5	34.5
109-1223	12x23	150	12	23	44	34.3	37.5
109-1419	14x19	155	14	19	38	30.7	31.5
109-1421	14x21	155	14	21	42	32.5	34.5
109-1423	14x23	155	14	23	44	34.3	37.5
109-1425	14x25	155	14	25	48	36.1	40.5
109-1623	16x23	160	16	23	44	34.3	37.5
109-1625	16x25	160	16	25	48	36.1	40.5
109-1627	16x27	160	16	27	50	37.9	43.5
109-1825	18x25	165	18	25	48	36.1	40.5
109-1827	18x27	165	18	27	50	37.9	43.5

ORDER INFORMATION

PRODUCT NO.	DESCRIPTION	PRODUCT NO.	DESCRIPTION
108-1017	Encompass Stem Plasma Spray 10x17 STD	109-1017	Encompass Stem Plasma Spray 10X17 EXT
108-1019	Encompass Stem Plasma Spray 10x19 STD	109-1019	Encompass Stem Plasma Spray 10X19 EXT
108-1217	Encompass Stem Plasma Spray 12x17 STD	109-1217	Encompass Stem Plasma Spray 12X17 EXT
108-1219	Encompass Stem Plasma Spray 12x19 STD	109-1219	Encompass Stem Plasma Spray 12x19 EXT
108-1221	Encompass Stem Plasma Spray 12x21 STD	109-1221	Encompass Stem Plasma Spray 12x21 EXT
108-1223	Encompass Stem Plasma Spray 12x23 STD	109-1223	Encompass Stem Plasma Spray 12x23 EXT
108-1419	Encompass Stem Plasma Spray 14x19 STD	109-1419	Encompass Stem Plasma Spray 14x19 EXT
108-1421	Encompass Stem Plasma Spray 14x21 STD	109-1421	Encompass Stem Plasma Spray 14x21 EXT
108-1423	Encompass Stem Plasma Spray 14x23 STD	109-1423	Encompass Stem Plasma Spray 14x23 EXT
108-1425	Encompass Stem Plasma Spray 14x25 STD	109-1425	Encompass Stem Plasma Spray 14x25 EXT
108-1623	Encompass Stem Plasma Spray 16x23 STD	109-1623	Encompass Stem Plasma Spray 16x23 EXT
108-1625	Encompass Stem Plasma Spray 16x25 STD	109-1625	Encompass Stem Plasma Spray 16x25 EXT
108-1627	Encompass Stem Plasma Spray 16x27 STD	109-1627	Encompass Stem Plasma Spray 16x27 EXT
108-1825	Encompass Stem Plasma Spray 18x25 STD	109-1825	Encompass Stem Plasma Spray 18x25 EXT
108-1827	Encompass Stem Plasma Spray 18x27 STD	109-1827	Encompass Stem Plasma Spray 18x27 EXT

PRODUCT NO.	DESCRIPTION	PRODUCT NO.	DESCRIPTION
138-2230	CoCr Femoral Head 22mm -3	138-2806	CoCr Femoral Head 28mm +6
138-2200	CoCr Femoral Head 22mm +0	138-2809	CoCr Femoral Head 28mm +9
138-2203	CoCr Femoral Head 22mm +3	138-3230	CoCr Femoral Head 32mm -3
138-2206	CoCr Femoral Head 22mm +6	138-3200	CoCr Femoral Head 32mm +0
138-2830	CoCr Femoral Head 28mm -3	138-3203	CoCr Femoral Head 32mm +3
138-2800	CoCr Femoral Head 28mm +0	138-3206	CoCr Femoral Head 32mm +6
138-2803	CoCr Femoral Head 28mm +3	138-3209	CoCr Femoral Head 32mm +9



12187 South Business Park Drive
Draper, Utah 84020

Telephone: 801.553.9991
Fax: 801.553.9993

For more information visit
www.orthodevelopment.com